

# Stiffel®



CUTTING EDGE  
INDUSTRIES

2020

AMERICAN MANUFACTURER OF  
Custom Fixtures, Lamps, Shades and  
Laser Cut Architectural Panels

Stiffel®

Cast Lamp Bodies  
Wall, Ceiling Fixtures, Sconces, Bolt Downs  
USB & Convenience Outlets  
Handcrafted Lamp Shades /Replacement/Recovers  
Finials, Tables



Custom Lighting Configurations  
Fabric/Metal  
Pendants, Flush Mounts and Sconces  
Laser Cut Designs/Architectural Panels  
Handcrafted Lamp Shades



Laser Cut Designs/Wall Decor  
Souvenirs, Gifts, Awards, Signage  
Protective Plexiglass Barriers and much more...

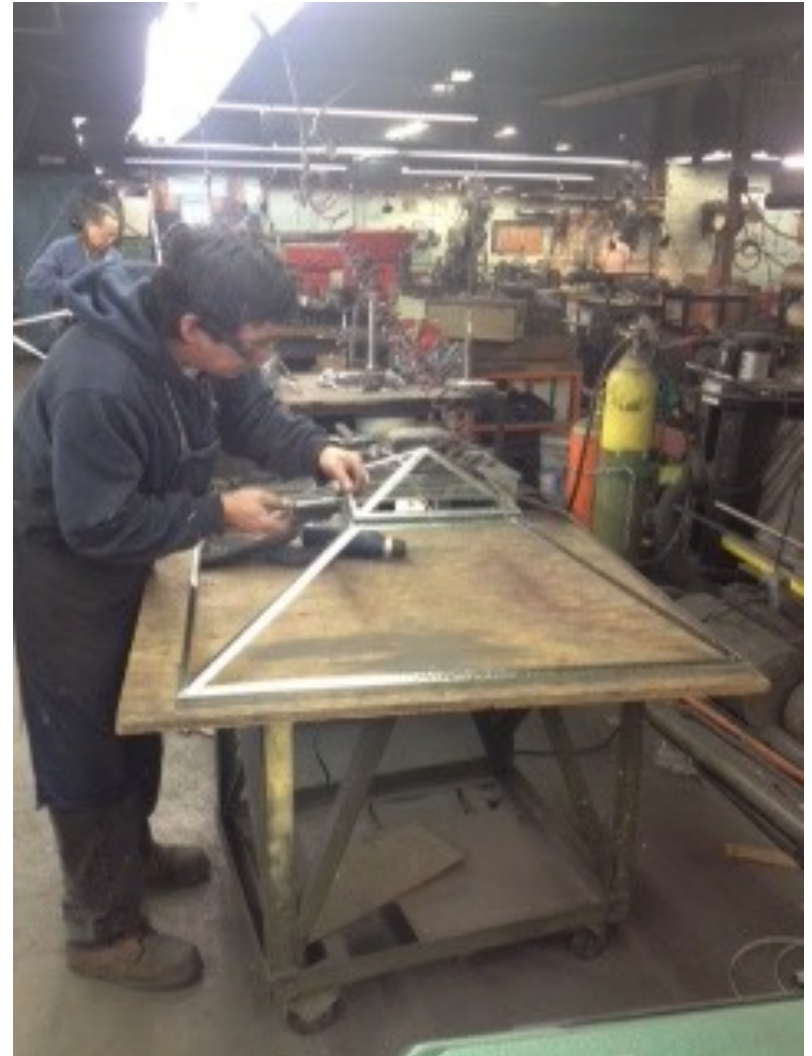




American  
Craftsmanship



Custom Fabrication





**Made in USA**

## Custom Shaded Pendant Fixtures

Any Shape  
Any Scale



## Custom Lampshades

Softbacks

Hardbacks

Re-Covers







## LASER CUT TECHNOLOGY

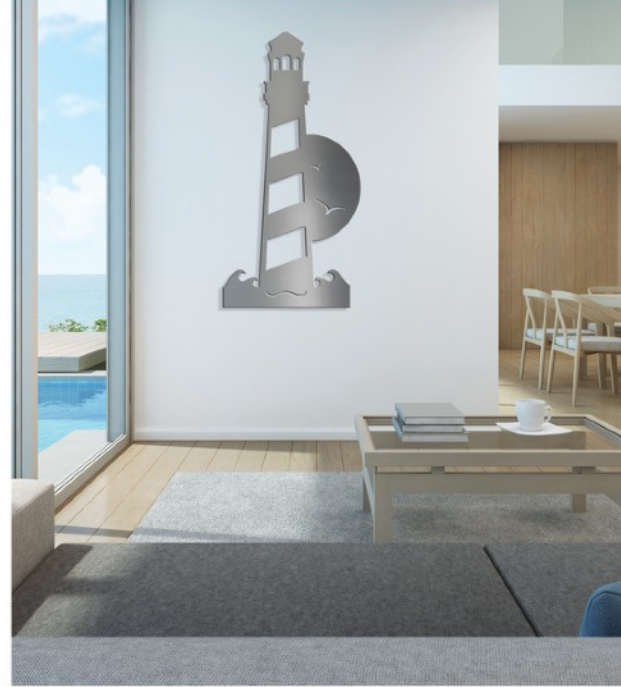
Cutting Edge Industries is an industry leader in high quality American made laser cut products. We are proud to introduce our lasered steel decorative Wall Décor catalog, with over 158 pages of beautifully designed wall art. Designs include: lodge, beach, nature, historical landmarks, abstract, geometric among other themes. Material ranges from 11 to 16 gauge steel and comes with high quality steel standoffs or mounting screws, and each design is available in six high quality, durable powder coated finishes. Everything is proudly made in the USA.

### CUSTOM CAPABILITIES: **CUTTING EDGE** INDUSTRIES

Have a project in mind? Our innovative state of the art laser cutting technology allows for accurate and intricate cutting of almost any design. Contact our design team for size and thickness requests on custom projects. Commonly cut materials include steel, brass, aluminum, wood, acrylic and fabric. Send us your specs for an immediate quote!







**AVAILABLE IN A VARIETY OF SIZES AND FINISHES**





# LASER CUT TYPOGRAPHY

Our typography wall art line is made from laser cut steel and available in a matte black powder coated finish. We sell a wide selection of unique designs, all of which are made in the USA.



Each piece comes packed neatly in a box with mounting screws for easy hanging.

If you have a custom idea you'd like to have made, our design team is ready to help. We also offer a variety of other powder coated finishes that are available for larger size and custom orders.







# LASER CUT ORNAMENTS

Laser Cut Steel - 22 Gauge · Custom & Stock Shapes and Designs.

Name Drop/Personalization Available · Approximately 3.75" in Diameter · Stock Or Textured Colors Available

Each Ornament comes with ribbon attached in individual polybags with hang hole at top.





# SOUVENIR "STAND UPS"

USE OUR STOCK DESIGNS OR CUSTOMIZE YOUR OWN!



Laser Cut Steel - 22 Gauge

Name Drop/Personalization Available · Name Plate Size Approximately 5"W x 1.875"H

Stock Or Textured Colors Available







## HOLIDAY NAPKIN HOLDERS

Laser Cut Steel · Custom & Stock Shapes And Designs

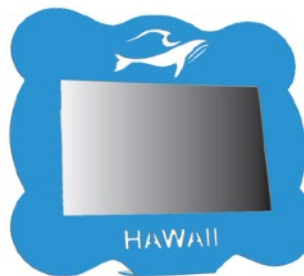
Name Drop/Personalization Available · Sizes Vary – Ask For Additional Designs And Pricing · Stock Or Textured Colors Available







## THEMED PICTURE FRAMES



**USE OUR STOCK ART OR  
LET US CREATE YOUR CUSTOM DESIGN!**

Laser Cut Steel · Custom & Stock Shapes and Designs

Name Drop/Personalization Available

Approximately 7.5" Tall x 8.5" Wide

Holds 4X6 Postcards or Pictures

Stock Or Textured Colors Available





Starbucks



# Laser Cut Lighted Signs







Stiffel.

 CUTTINGEDGE  
INDUSTRIES

 LITE TOPS  
MANUFACTURERS OF LAMP SHADES AND FIXTURES





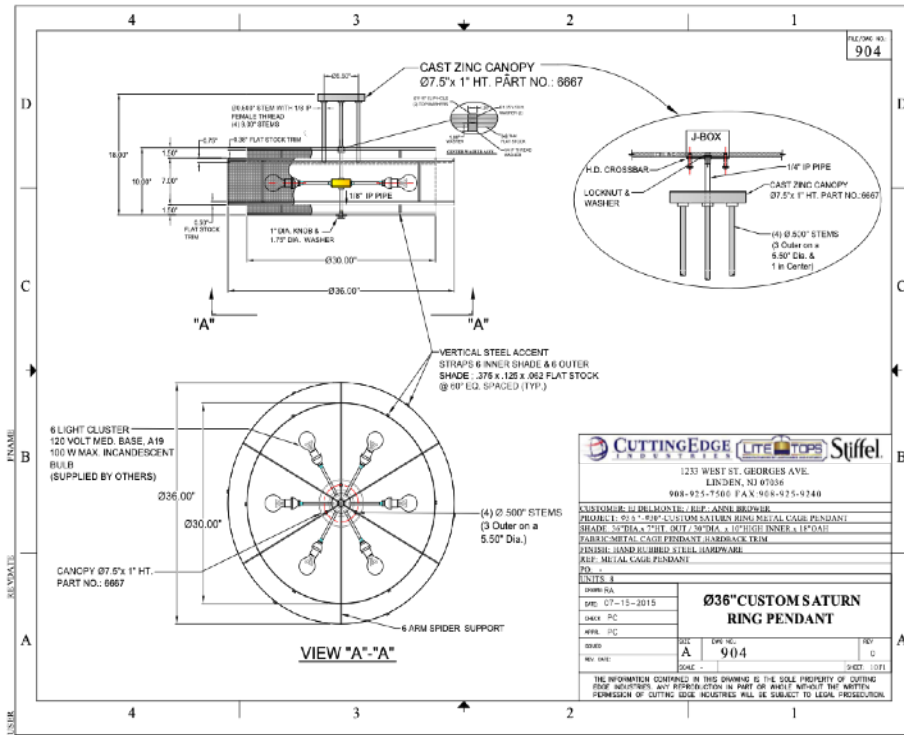




# The Lite Top Quote/Order Process

- Receive Quote Request or Design Concept
- Review and Develop Formal Quote
- Customer Sends PO & 50% Deposit
- Drafting Dept provides a Detailed Shop Drawing For Approval/Signatures
- Shop Drawing is Signed Off and Returned by Customer
- Production Lead Time is 4 to 6 Weeks from Date of Sign Off

# E.J. DelMonte Group Custom Fixture



In House Steel Fabrication  
Powder Coated Industrial Bronze Finish  
36" Diameter – 6 Light



Marriott  
Rochester New York

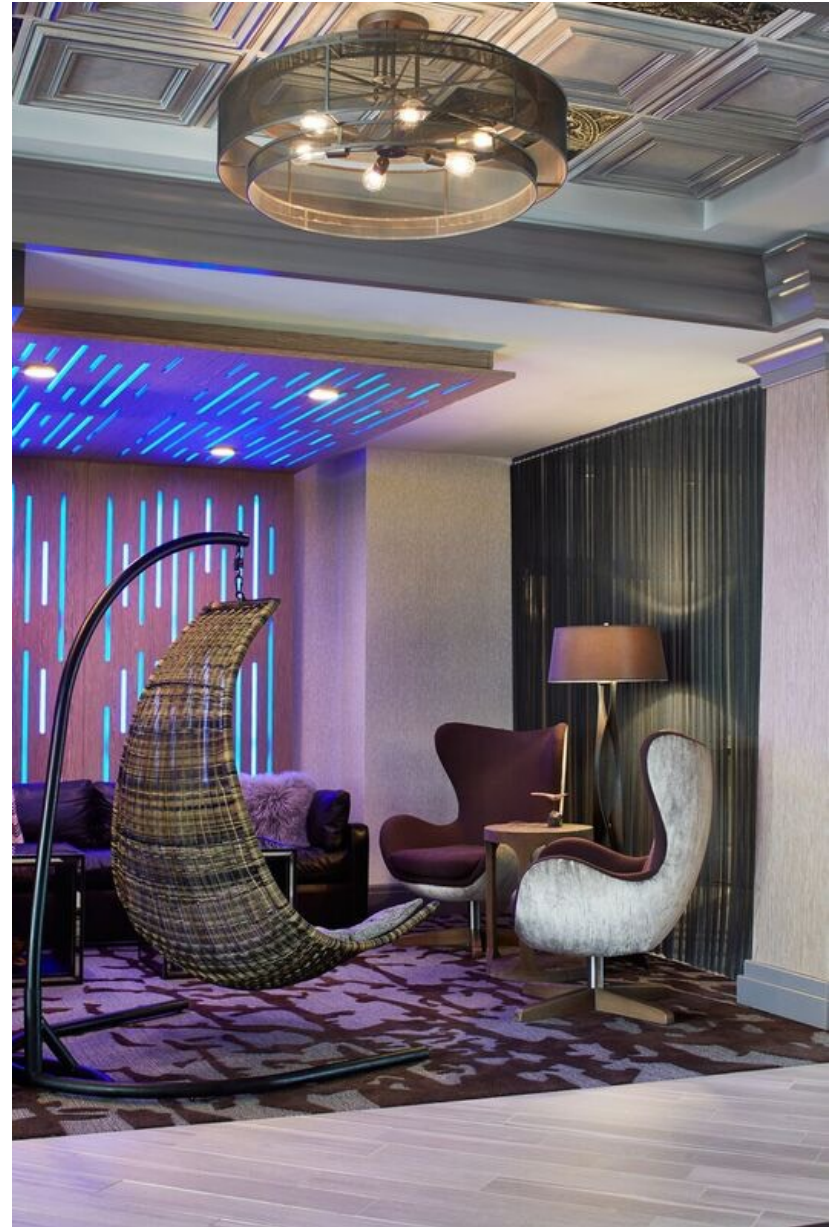


# Airport Marriott – Rochester, NY





# Airport Marriott – Rochester, NY





# Beach House Properties – Senior Living Centers



# Studio Six 5 – San Antonio Texas





# Studio Six 5 – San Antonio Texas



# Studio Six 5 – San Antonio Texas





# Marriott TownePlace Suites Orlando at Flamingo Crossings



Westin at Times Square  
New York City





# Barrons Cove - New York



# Hilton Garden Inn Bend Oregon



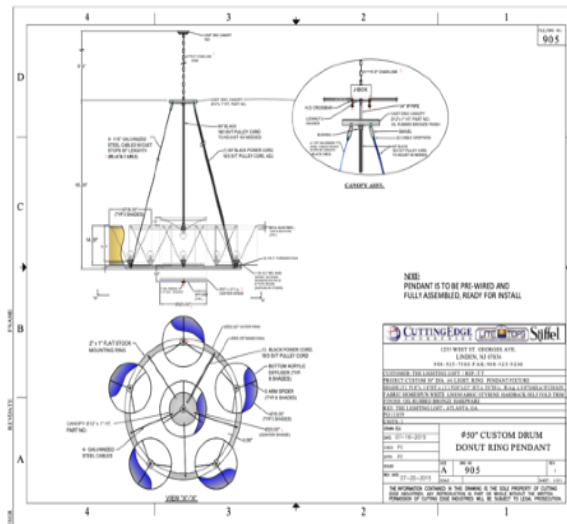


# The Lighting Loft - Atlanta Georgia

## 50" Custom 6 Light Fixture



18" Outer Shades  
20" Center Shade  
6" Drop  
Oxidized Bronze  
Finish



# Sprouts Farmers Market - Phoenix Arizona





# Sprouts Farmers Market Corporate Headquarters Phoenix AZ



BD-NY Hospitality Show 2015  
Jacob Javits Center New York City





# The Pix Lounge Mini Pendants and Table Lamps





# PIX Lounge Fixture -3 Sections – 18' x 8'







# Sailfish Point Golf Club - Stuart, FL

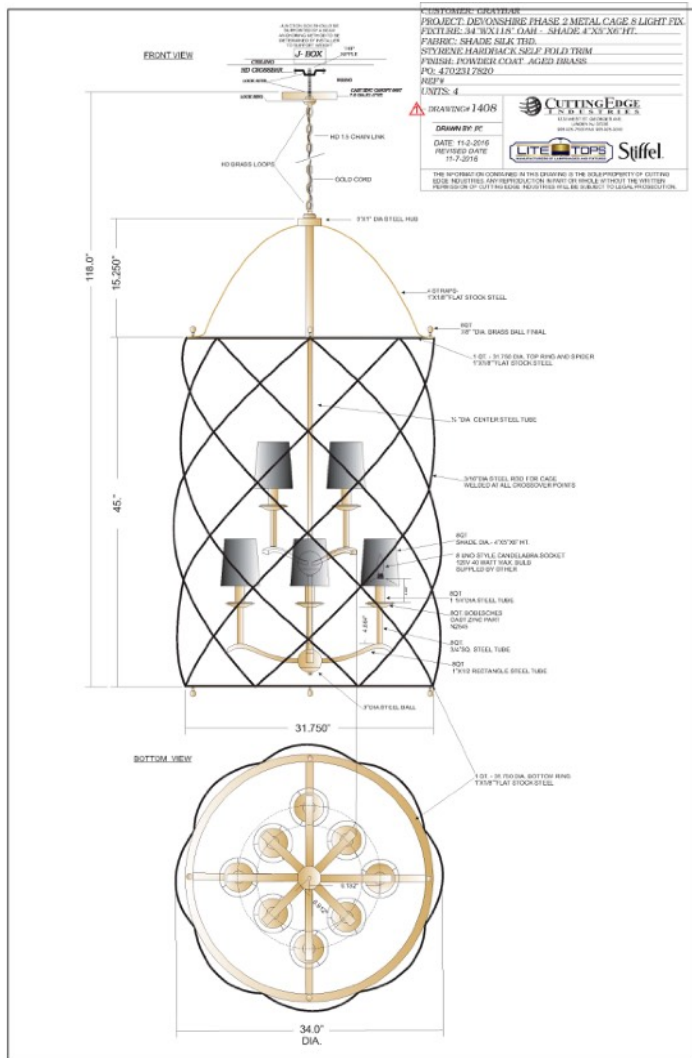








# Devonshire Retirement Community Phase 2



Custom Metal  
4 over 4 Light  
Caged Pendant

Powder Coated  
Aged Brass  
Finish

34" Height  
118" OAH







CLOVER FARMS DAIRY  
READING, PA.

Stiffel.

 **CUTTING EDGE**  
INDUSTRIES

**LITE TOPS**  
MANUFACTURERS OF LAMP SHADES AND FIXTURES



# Devonshire Retirement Community at PGA National Palm Gardens, FL

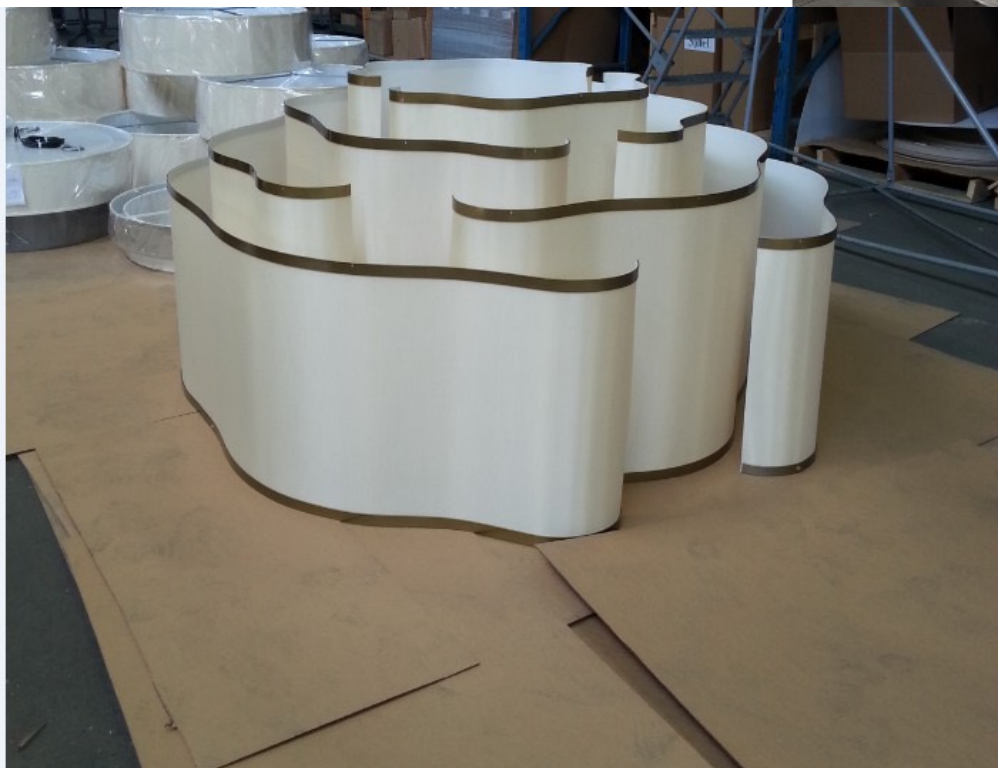






# Delamar Hotel Custom Fixture

Custom Design  
Custom Fabrication  
Custom Finish



Custom Fabricated Hardback  
Shade  
Hand Applied French Gold  
Finish

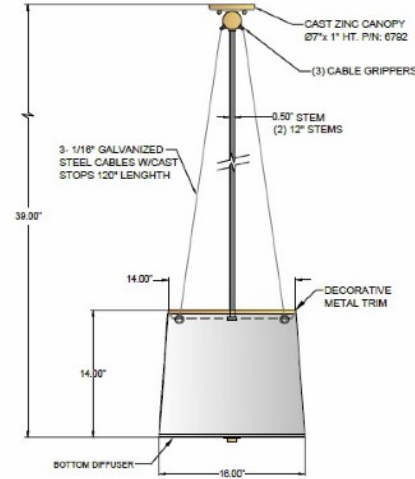
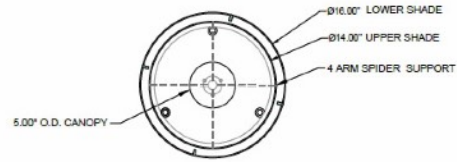


# Delamar Hotel – Greenwich, CT



# Delamar Hotel – Greenwich, CT

Cream Aberdeen Shade Material  
French Gold Finish  
16" x 14" x 16" Shade



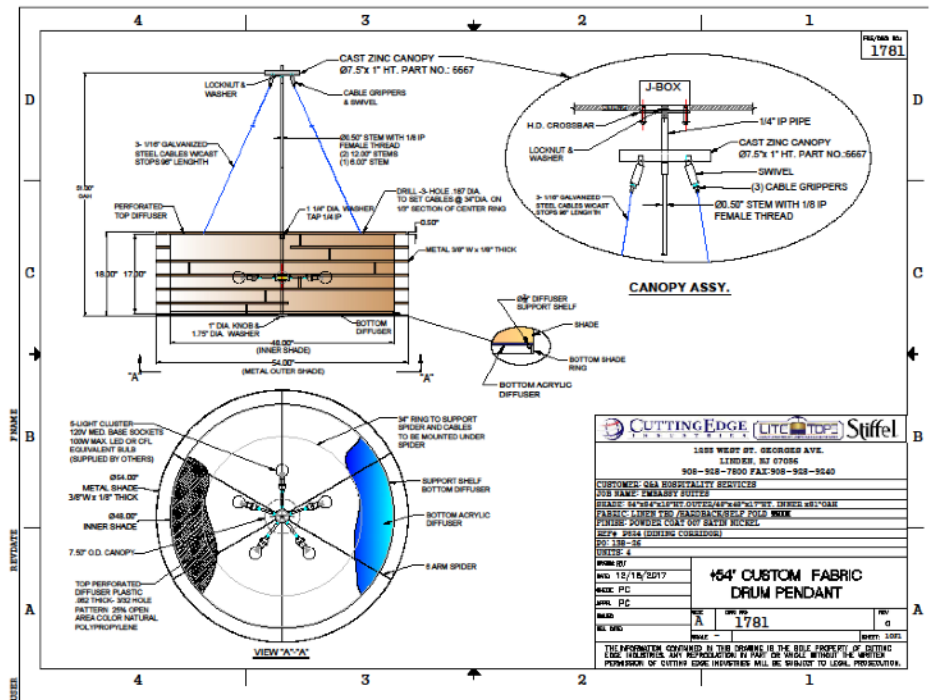


# 54" Custom Laser Cut Fixture

Cable Suspended  
LED Lamps  
Satin Nickel Finish



Laser Cut Frame 3/8" w x 1/8" thick  
48" Inner Shade  
Top and Bottom Diffusers



# Embassy Suites and Conference Center – Noblesville, IN







# Embassy Suites and Convention Center – Noblesville, IN







# Embassy Suites and Convention Center – Noblesville, IN





# Acoustic Pendants in Production



# Custom Acoustic Pendant





# Blue Diamond Jewelry Store – Old San Juan , Puerto Rico



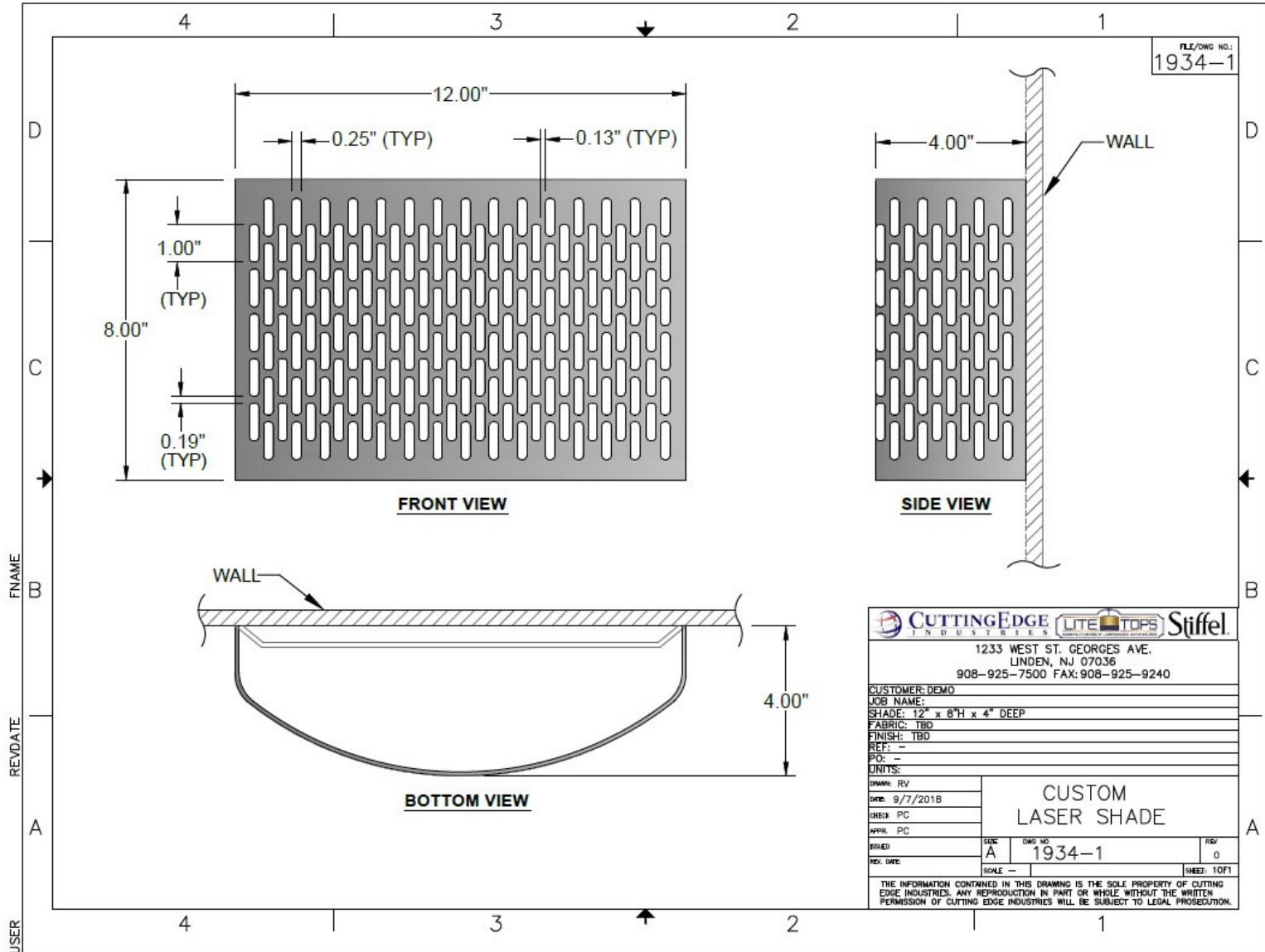
after

# Custom Drum Pendants





# NEW – Laser Cut Pendants and Sconces







# Stiffel<sup>®</sup> HOSPITALITY



Item #	FINISH	DESCRIPTION	HEIGHT	SHADE FABRIC	SHADE SIZE	SWITCH	WATTAGE	PRICE
DL-K335-AC7566	Oxidized Bronze	TABLE LAMP	23"	Off White Butcher Linen	6X10.9X13.85	ADA Rocker	60 W MAX EACH	\$139.00

# Stiffel<sup>®</sup> HOSPITALITY



Item #	FINISH	DESCRIPTION	HEIGHT	SHADE FABRIC	SHADE SIZE	SWITCH	WATTAGE	PRICE
DL-K335-CS21-PHB	Polished Honey Brass / Black	TABLE LAMP	23"	Off White Butcher Linen	6"x10.9"x13.5"	ADA Rocker	60 W MAX EACH	\$139.00

# Stiffel<sup>®</sup> HOSPITALITY



Item #	FINISH	DESCRIPTION	HEIGHT	SHADE FABRIC	SHADE SIZE	SWITCH	WATTAGE	PRICE
DL-K335-K515-GWH	Satin Nickel Gloss White	TABLE LAMP	22"	Off White Butcher Linen	6"x10.9"x8.5"	ADA Rocker	60 W MAX EACH	\$139.00

# Stiffel<sup>®</sup> HOSPITALITY



Item #	FINISH	DESCRIPTION	HEIGHT	SHADE FABRIC	SHADE SIZE	SWITCH	WATTAGE	PRICE
TL-K100 -6670-SN	Satin Nickel	TABLE LAMP	24"	White Butcher Linen	13"x14"x9"	ADA Rocker	150 W MAX EACH	\$125.00



Stiffel<sup>®</sup> HOSPITALITY



Item #	FINISH	DESCRIPTION	HEIGHT	SHADE FABRIC	SHADE SIZE	SWITCH	WATTAGE	PRICE
TL-5118	Custom Bronze	TABLE LAMP	30"	Cream Aberdeen	14"x15"x10"	ADA Rocker	150 W MAX EACH	\$145.00

Stiffel<sup>®</sup> HOSPITALITY



Item #	FINISH	DESCRIPTION	HEIGHT	SHADE FABRIC	SHADE SIZE	SWITCH	WATTAGE	PRICE
TL-5137	Custom Bronze	TABLE LAMP	30"	Cream Aberdeen	11"x16"x10.5"	ADA Rocker	150 W MAX EACH	\$145.00

# Stiffel<sup>®</sup> HOSPITALITY



Item #	FINISH	DESCRIPTION	HEIGHT	SHADE FABRIC	SHADE SIZE	SWITCH	WATTAGE	PRICE
TL-6151	Custom Bronze	TABLE LAMP	30"	Cream Aberdeen	11"x16"x10.5"	ADA Rocker	150 W MAX EACH	\$145.00

# Stiffel<sup>®</sup> HOSPITALITY



Item #	FINISH	DESCRIPTION	HEIGHT	SHADE FABRIC	SHADE SIZE	SWITCH	WATTAGE	PRICE
TL-6637X-N7853-BZPA	Custom Belgin Bronze	TABLE LAMP	30"	Global White	6"x16"x10"	ADA Rocker	150 W MAX EACH	\$145.00



# Stiffel<sup>®</sup> HOSPITALITY



Item #	FINISH	DESCRIPTION	HEIGHT	SHADE FABRIC	SHADE SIZE	SWITCH	WATTAGE	PRICE
TL-6637X-N7853-BZPA	Custom Bronze Patina	TABLE LAMP	30"	Cream Aberdeen	11"x16"x10.5"	ADA Rocker	150 W MAX EACH	\$145.00

# Stiffel<sup>®</sup> HOSPITALITY



Item #	FINISH	DESCRIPTION	HEIGHT	SHADE FABRIC	SHADE SIZE	SWITCH	WATTAGE	PRICE
TL-6637X-A846-RST	Satin Nickel / Rust	TABLE LAMP	30"	Off White Butcher Linen	11"x16"x10.5"	ADA Rocker	150 W MAX EACH	\$125.00

# Stiffel<sup>®</sup> HOSPITALITY



Item #	FINISH	DESCRIPTION	HEIGHT	SHADE FABRIC	SHADE SIZE	SWITCH	WATTAGE	PRICE
TL-K100-6670-SN	Satin Nickel	TABLE LAMP	24"	White Butcher Linen	13"x14"x9"	ADA Rocker	150 W MAX EACH	\$125.00

# Stiffel<sup>®</sup> HOSPITALITY



Item #	FINISH	DESCRIPTION	HEIGHT	SHADE FABRIC	SHADE SIZE	SWITCH	WATTAGE	PRICE
TL-K100-6677-OB	SN / Oxidized Bronze	TABLE LAMP	26.5"	Off White Butcher Linen	13"x14"x9"	ADA Rocker	150 W MAX EACH	\$125.00



## New Hospitality Fixtures







# College Licensed Lamps & Shades



# THANK YOU!



CUTTING EDGE  
INDUSTRIES

Stiffel®



2020